

# HS-100F Series Vibration Sensor

Braided Cable, Low Speed Accelerometer



## Typical Applications

- Proven use in vibration monitoring for offline applications using commercially available data collectors and online monitoring systems in the fields of Construction Engineering, Paper and Pulp, Metals Manufacture, Wind Farms and numerous other applications where low speed vibration monitoring is required.
- **Protecting...**  
Gearboxes, Rolls, Wind Turbines, Rotors and other low speed machinery.

## Technical Performance

Mounted Base Resonance	22 kHz (nominal)
Sensitivity	See table
Frequency Response	1.5 Hz to 10 kHz $\pm 5\%$ 0.2 Hz to 15 kHz $\pm 3$ dB
Isolation	Base isolated
Measurement Range	See table
Transverse Sensitivity	Less than 5%

## Electrical

Electrical Noise	0.1 mg max
Current Range	0.5 mA to 8 mA
Bias Voltage	10 - 12 Volts DC
Settling Time	2 seconds
Output Impedance	200 Ohms max.
Case Isolation	$>10^8$ Ohms at 500 Volts

## Environmental

Operating Temperature Range	-55 to 140 °C
Sealing	IP65
Maximum Shock	5000 g
Emissions	EN61000-6-4:2007
Immunity	EN61000-6-2:2005

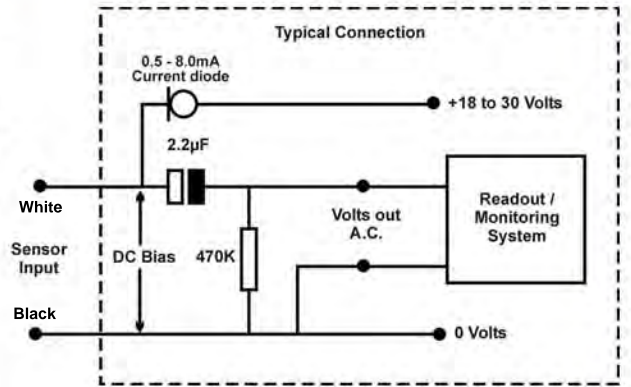
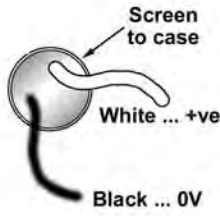
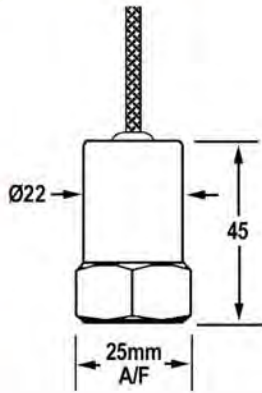
## Mechanical

Case Material	Stainless Steel
Sensing Element/Construction	PZT/Compression
Mounting Torque	8 Nm
Weight	110 gms (nom)
Maximum Cable length	1000 metres
Standard Cable length	5 metres
Mounting Threads	See 'How to order' table
Options	Connector, cable length, various mounts, other sensitivities

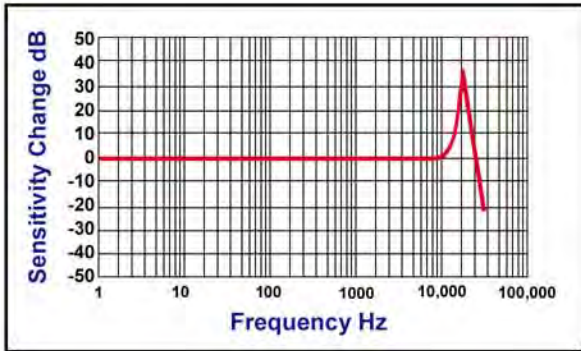
PRODUCT DATA

# HS-100F Series Vibration Sensor

## Dimension



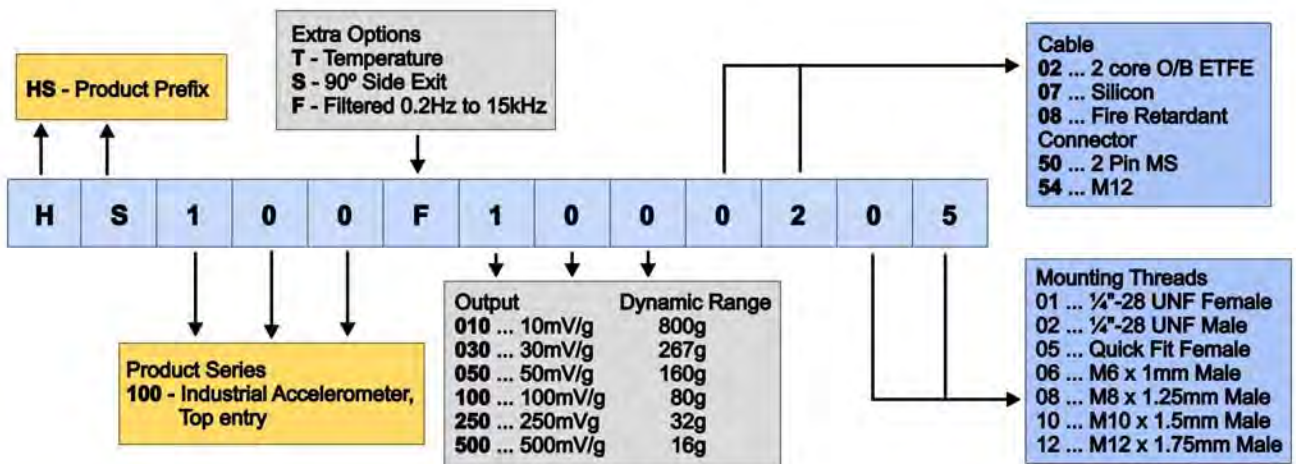
## Frequency Response



**Mounting of sensor to achieve good repeatable readings.**  
Vibration sensor should be firmly fixed to a flat surface (spot face surface may be needed to be produced and cable anchored to sensor body.)



## How to order



Please contact our Sales Office for information on sensor accessories (mounting studs, etc) and multichannel switch boxes.